

Ring light series ER1Exx4x

LED ring light, Ø156mm, 7.2-24W, M16 cable connector 12-pin 0.15m, IP64, aluminum+acrylic glass



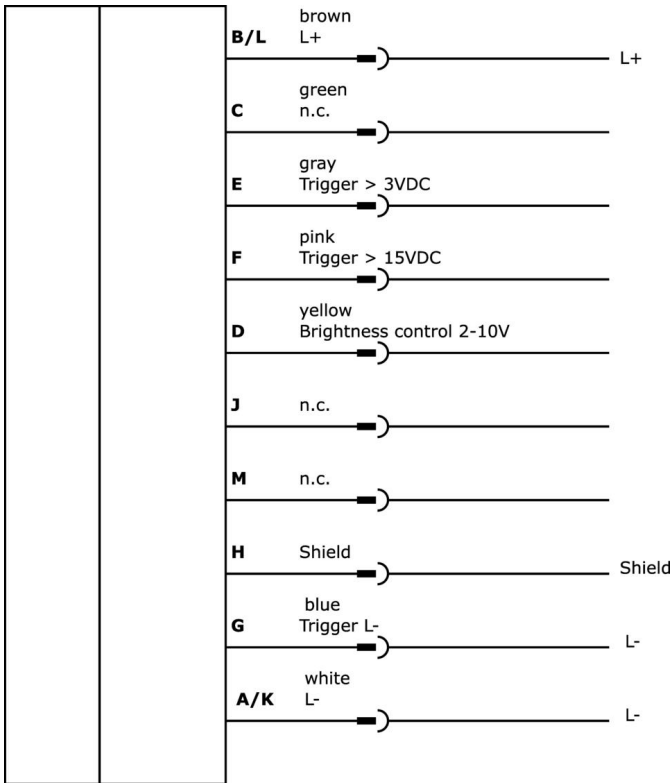
Suitable for continuous and flash operation

Selecting the right illumination is essential for all types of inspection tasks with a camera sensor, as only high-contrast images can be reproducibly evaluated. And illumination has a decisive influence here. The selection depends on various factors such as the distance to the test object, its size, the component criterion to be tested or the expected environmental conditions. Ring lights provide a direct, focused incident light that is particularly suitable for round test objects as it does not produce any hard object shadows.

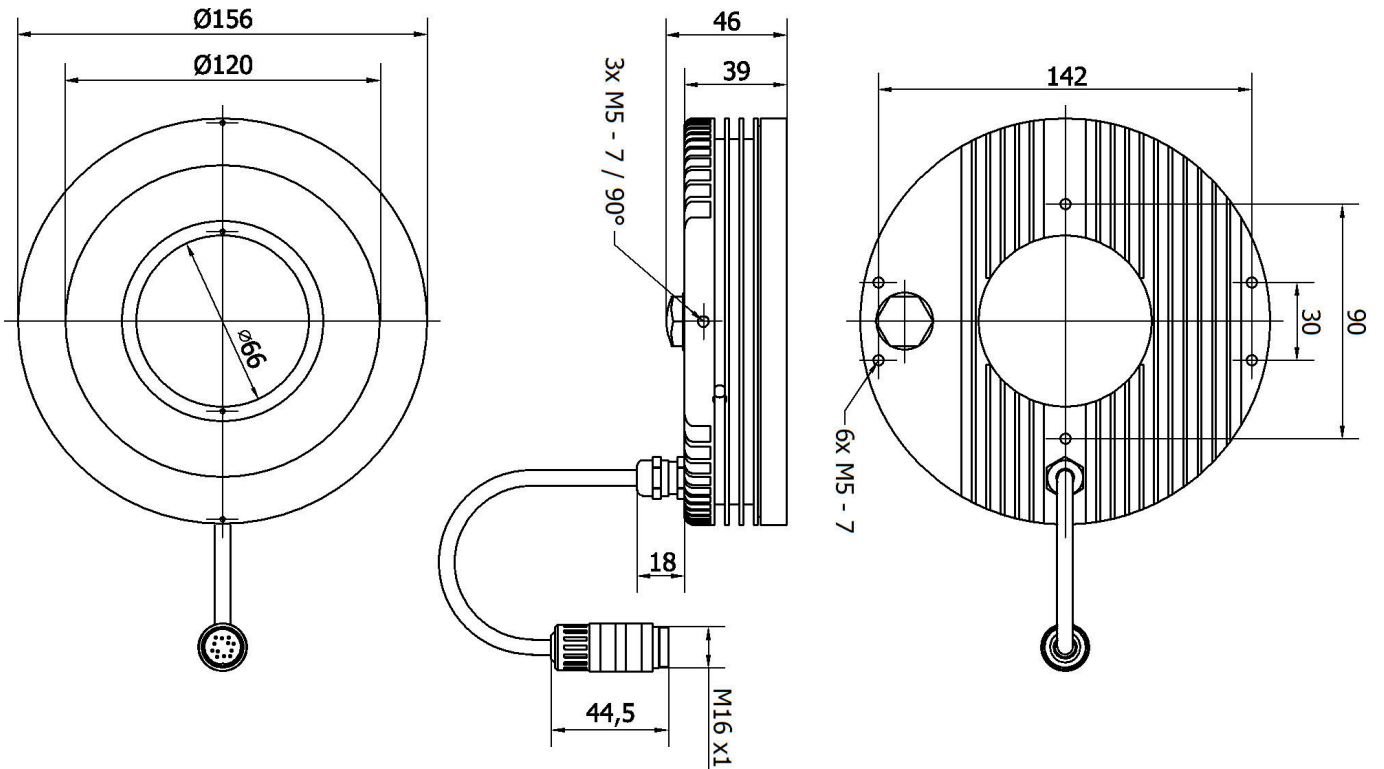
Lights are available with different diameters of the lens aperture, different light colors and outputs. The internal flash controller enables flash operation of the lights up, which may be required for short exposure times of the camera systems.

Article No.	ER1E0140	ER1E8I40	ER1E8I42
ardSOCA_Abmessungen	39mm high		
Inner diameter	66 mm		
ardSOCA_Betriebsspannung	19-30VDC		
Rated operating current	1000 mA	300 mA	800 mA
Power	24 W	7.2 W	7.2 W
Protection class	III		
Operational mode	Permanent operation Switching operation	Permanent operation Switching operation	Flash operation
Angle of beam spread	49 °	90 °	36 °
Light source	White light	Infrared light	Infrared light
Wavelength of the sensor	850 nm		850 nm
ardSOCA_ElektrischerAnschluss	Cable connector M16 12-pin 0.15m		
Degree of protection (IP)	IP64		
Housing material	Aluminum		
Front screen material	Acrylic glass		
Ambient temperature	5 - 45 °C		
Risk group	1	0	0

Connection



Dimensional drawing



Extract accessories program

VK255C44



Connection cable, 2.5m, M16
Female (socket) 12pin Straight,
Free conductor end, 12wire,
Other, 300V, IP67, Shielded,
Suitable for trailing chain and
torsion resistant, Oil and cooling
lubricants

VK505C44



Connection cable, 5m, M16
Female (socket) 12pin Straight,
Free conductor end, 12wire,
Other, 300V, IP67, Shielded,
Suitable for trailing chain and
torsion resistant, Oil and cooling
lubricants

AE000004



accessories light, Mounting
bracket, 47x105x78mm, Steel
With powder coating

AE000005



accessories light, Cover disc,
Ø145mm 2long, Opal,
Transparency 90%, Acrylic glass

AE000010



accessories light, Cover disc,
Ø145mm 2long, Opal,
Transparency 90%, Acrylic glass

VK000054



Y-connection cable, 0.05m, 2x
M12 12-pin straight, 1x M16
socket 12-pin straight, 0.34mm²,
PUR (polyurethane) black, Ø6.
5mm, suitable for trailing chain
and torsion resistant

You can find further accessories on our homepage



Installation

Mounting / installation may only be carried out by a qualified electrician!



Disposal

WEEE number according to § 6 para. 3
ElektroG: 40951076

Safety warnings

/ Before initial operation, please make sure to follow all safety instructions that may be provided in the product information.

/ Never use these devices in applications where the safety of a person depends on their functionality.

/ LED lighting systems can generate intensive UV radiation, which can damage your eyes in case of improper use. The manufacturer cannot be held responsible for damages that result from improper use or connection.